



The 3600a-PA Corner Wrap, Printer-Applicator is a rugged, high speed, thermal transfer/direct thermal labeler used to print and apply pressure sensitive labels to the leading and side panels of various cartons, cases or pallets.



Setting Global Standards
One Customer at a Time

3600a-PA Corner Wrap

Features:

The 3600a-PA Corner Wrap, Printer-Applicator is a rugged, high speed, thermal transfer/direct thermal labeler used to print and apply pressure sensitive labels to the leading and side panels of various cartons, cases or pallets. To achieve the corner wrap the labeler swing arm rotates to initially apply a portion of the label to the leading panel and with continued product travel the pad maintains label contact to continue around the corner and on to the sidewall, and at the end of the sidewall portion the swing arm returns the pad to the labeler for the next label.

This corner wrap panel labeler uses a Sato, Zebra or Datamax print engine integrated into the applicator to print variable data with bar codes, alpha- numerics and graphics, and can be mounted in almost any position- up, down, reels up or upright depending upon label size and orientation of the label on the product. Normal and fine detail printing is available with a choice of 203, 305, 400 and 609 dpi print resolutions, depending on manufacturer.

Right hand and left hand versions are offered for either side of the conveyor handling labels up to 7.1" wide, up to 6.6" print width. All 3600a-PA units are equipped with multiple onboard I/O signals prewired to external connectors, and the print engines offer Serial, Parallel, Ethernet, USB or wireless data communication.

The heavy duty, rack and pinion dual cylinder rotary actuator and custom designed swing arm length allows the unit to reach out to products which are not at the edge of the conveyor.

Set-up is easy, repeatable and stable with the micro plc controller with the color touch screen HMI display for operator access to set-up parameters.

Electrical / Pneumatic:

108-132 Volts AC, 50/60 Hertz, Single Phase, 5 Amps.

Clean, dry air, 90 psi., approx. 3 - 5 cfm.



Environmental:

Operating: 41° F to 104° F (5° C to 40° C)

Storage: -4° F to 105° F (-20° C to 40° C)

Optional Features:

Low label, Low Ribbon, End of Web, End of Ribbon

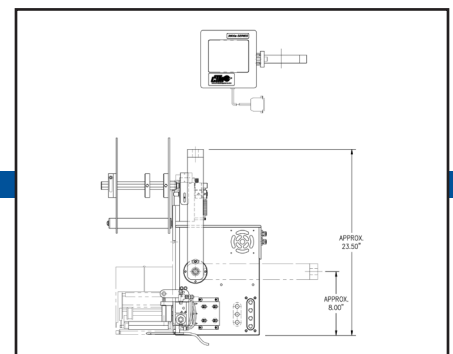
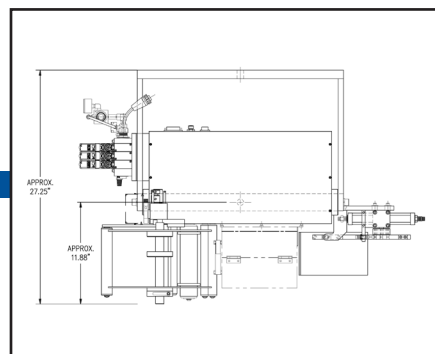
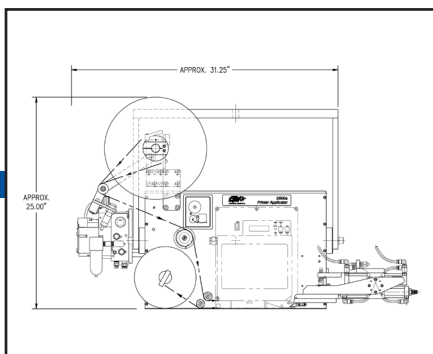
Stack light (silent or audible)

Allen-Bradley plc

Consult CTM Labeling Systems for other options

Weight:

Approx. 120 lbs.



Distributed By: