



The 3600a PA Printer Applicator is a rugged and versatile, high speed, thermal transfer labeler used to print and apply pressure sensitive labels to various products. Available in CE versions.



SATO, ZEBRA and DATAMAX  
Print Engines Available

***Setting Global Standards***  
*One Customer at a Time*

[www.ctmlabelingsystems.com](http://www.ctmlabelingsystems.com)

# 3600a PA

## 3600a PA Series Label Printer Applicator

### Features

The 3600a PA Printer Applicator is a rugged and versatile, high speed, thermal transfer labeler used to print and apply pressure sensitive labels to various products. A Sato, Zebra or Datamax print engine is integrated into an applicator to form a self-contained unit to print variable data.

Assembled with right or left hand printer modules, the unit can be mounted in various positions to apply labels to the tops, sides or bottoms of a multitude of products with its proven tamp-blow application.

Labels as small as ½" and as large as 7.1" wide can be accommodated with its built-in barcodes and alpha-numeric fonts and 203, 305, 406 or 600 dpi print resolution.

The 3600a plc control includes a remote 4.3" color touchscreen operator interface display, user friendly and easy to read with an intuitive menu structure for operating parameters, and I/O diagnostics for use in labeler setup and troubleshooting of interface connectivity. An enhanced set up and testing capability provides for feeding of blank labels. Multi-layers of password protection offer security at operator and technical access levels.

Remote mounting allows convenient locating regardless of labeler position or attitude.

The operating program includes an encoder based Velocity Compensation feature for improved label placement accuracy at varying process line speeds.

Various onboard I/O signals are pre-wired to an external connector; additional built-in ports allow optional features to be added in the field with minimum investment.

**NOTE:** Label sizes dependent upon print engine model, also contact CTM Integration for custom sizes or shapes.

Print resolutions are 203, 305, 406 and 600 dpi, with print speeds programmable up to 16"/sec. (dpi dependent).

Print capabilities include fonts of various sizes and styles with independent height and width expansion; barcodes include OCR A/B, EAN 8/13, Code 39, Code93, UPC A/E (with extensions), Code 128, I 2 of 5, Maxicode,

DataMatrix, PDF417, MicroPDF, CODABAR, MSI, POSTNET and others. The Graphics feature supports user defined fonts and graphics including custom logos.

Labeling Speed is dependent upon label size, print speed and application type.



### Standard Machine

Features include Heavy Duty Construction, Tamp Blow Applicator, External Valves and Controls, Remote Operator Color Touchscreen Display, 12" O.D. Label Roll, I/O Connection and Communication Port Connections.

Optional features include Low Label/Low Ribbon, Out of Label/Out of Ribbon, End of Web, Red, Amber and Green "Ready" Stack Lights and 16" Unwind and High Capacity Rewind for large label rolls.

### Dimensions

31.5" L x 27.5" W x 23.5" H

### Weight

Approx. 150 lbs.

### Electrical

108-132 Volts AC, 5 Amps, 50/60 Hertz, Single Phase

### Pneumatic

90 psi., 3-5 cfm

### Communications

RS 232, Parallel, Ethernet, USB or Wireless

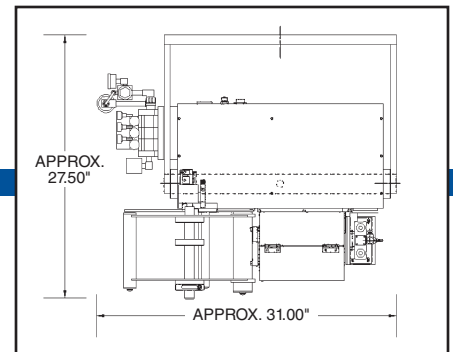
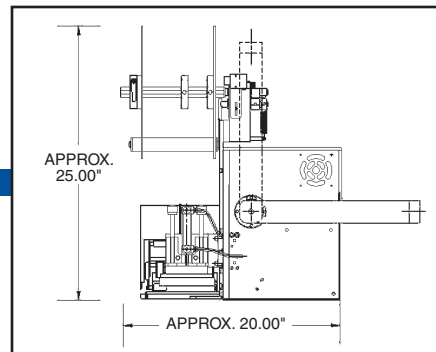
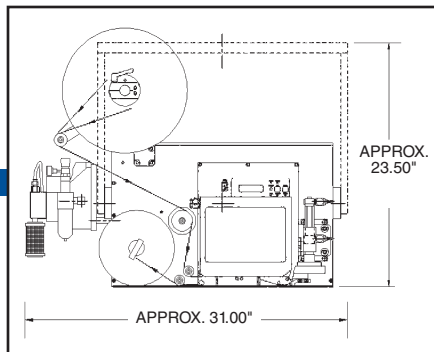
### Environmental

Operating: 41° F to 104° F  
(5° C to 40° C)

Storage: -4° F to 104° F  
(-20° C to 40° C)

### Printing Methods

Thermal Transfer & Direct Thermal



Distributed By:



1318 Quaker Circle  
P.O. Box 589  
Salem, Ohio 44460  
(330) 332-1800

[www.ctmlabelingsystems.com](http://www.ctmlabelingsystems.com)