

360a Integrated Loose Loop



Quick response to customer's changing needs is often required to be responsive in today's production environments, and the CTM adaptable labeler offers that capability.



Setting Global Standards
One Customer at a Time

www.ctmlabelingsystems.com

360a Integrated Loose Loop

Features:

Quick response to customer's changing needs is often required to be responsive in today's production environments, and the CTM adaptable labeler offers that capability.

With the rugged, versatile 360a applicator is the custom designed, integrated print and apply loose loop with an OEM print engine to provide for merge, tamp blow or air blow labeling of print and apply labels or for applying pre-printed labels.

For print & apply labels:

Upon start-up the labeler prints and fills the loose loop to the applicator assembly and positions a label at the peel edge and is at idle condition; filling the loose loop dancer places the printer into a "pause" condition. Upon product detection the applicator will dispense and apply a label to the product; with additional label applications the loose loop dancer roller will move to actuate a feed sensor to release the "pause" mode of the printer which then advances more labels to refill the loop until the "pause" mode.

For pre-printed labels:

The print engine is "off" and the label web is routed to bypass the printer to feed directly to the peel bar for application.

All 360a units are stepper motor driven with State-of-the-art electronics and a "Self-teaching" label sensor. File encryption of the 360a allows for easy "on-site" software revisions and upgrades. The digital stepper / servo controller manages multiple tasks simultaneously plus variables with expanded I/O making this drive well-suited for the most demanding production applications. The 360a is also equipped with onboard I/O prewired to external connectors to accommodate the following: low label single, web break, triple lightstack, encoder velocity compensation, and others.

Set-up is easy, repeatable and stable with the color touch screen HMI display for operator access to set-up parameters.

Integrated into the applicator is a Sato, Zebra or Datamax thermal transfer print engine for variable data with bar codes, alpha-numeric and graphics. Mounting can be in almost any position- up, down, reels up or upright depending upon label size and orientation on the product. Normal and fine detail printing is available with a choice of 203, 305, 400 and 609 dpi print resolutions, depending on manufacturer.

Right hand and left hand versions are offered with label capabilities up to 7.1" wide, up to 6.6" print width, and the print engines offer Serial, Parallel, Ethernet, USB or wireless data communication.

Electrical / Pneumatic:

108-132 Volts AC, 50/60 Hertz, Single Phase, 7 Amps.

Pneumatics, if needed: Clean, dry air, 90 psi., approx. 3 - 5 cfm.

Environmental:

Operating: 41° F to 104° F (5° C to 40° C)

Storage: -4° F to 105° F (-20° C to 40° C)

Optional Features:

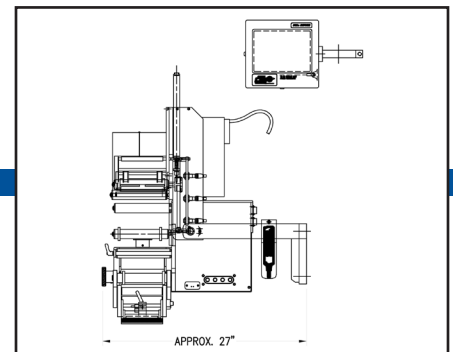
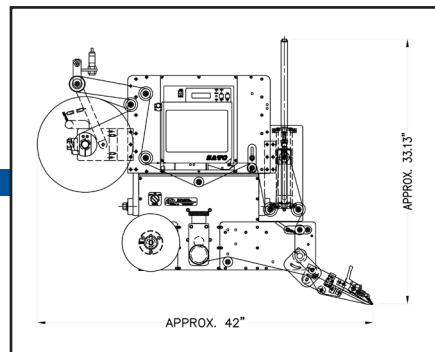
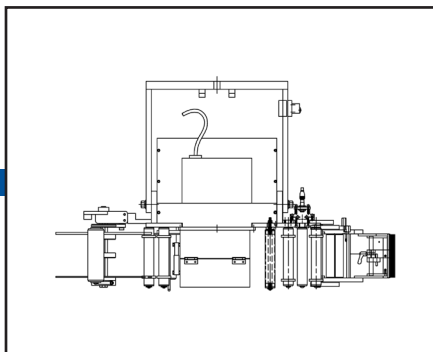
Low label, Low Ribbon, End of Web, End of Ribbon

Stack light (silent or audible)

Consult CTM Labeling Systems for other options

Weight:

Approx. 165 lbs.



Distributed By:



1318 Quaker Circle
P.O. Box 589
Salem, Ohio 44460
(330) 332-1800

www.ctmlabelingsystems.com