

Vertical Trunnion Roller Labeling System



Products are captured in closely spaced vertical rollers allowing for stabilized products at high wrap belt speeds, and without requiring long pitch spacing as needed with extended length labels.



Setting Global Standards
One Customer at a Time

www.ctmlabelingsystems.com

Vertical Trunnion Roller Labeling System

Features:

CTM recognizes that long labels and high speeds can have difficulties with label sag and wrap around skew, and too short of wrap station inhibits capabilities. Enter the vertical trunnion roller conveyor system. Products are captured in closely spaced vertical rollers allowing for stabilized products at high wrap belt speeds, and without requiring long pitch spacing as needed with extended length labels. Short product pitch and high wrapping velocities nearly eliminates skewed labels and yields higher cycle rates than with the standard wrap belt approach.

Providing for positive feed control into the rollers is the servo motor driven feedscrew entry mechanically linked to the roller drive; an encoder feedback from the conveyor is for operator ease in speed adjusting. An encoder at the wrap belt drive motor automatically adjusts the dispense speed of the advanced 360a HS (high speed) merge labeler, and the "touch screen" operator HMI with stored label formats simplifies operator set ups.

System controls are secure within the OSHA Lock-out, Nema 4 main enclosure which features a slanted console operator station with color touch screen display.

Feedscrew backlog detection with infeed clamp aids product control with random and staggered product entry.

The heavy duty, welded tubular steel open frame design contributes to the easy access for maintenance and clean up. "Steel-It" painted is standard but a stainless steel version is available. Custom heights to suit existing process elevations.

Operating Specifications:

Electrical

108-132 Volts AC (208V, 220V optional), 10-20 Amps, 50/60 Hertz, Single Phase



Environmental

Operating: 40° F to 105° F (5° C to 40° C)

Storage

-4° F to 105° F (-20° C to 40° C)

Optional Features

Low Label, End of Web, Stack light(s)

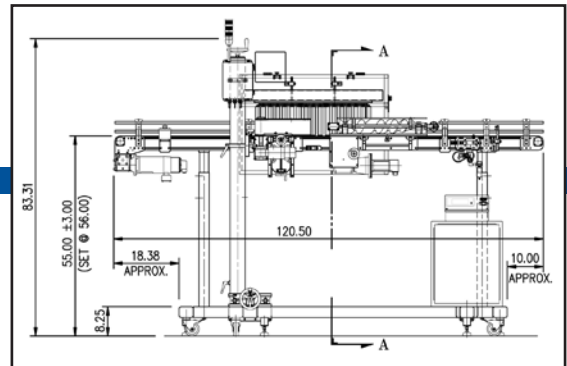
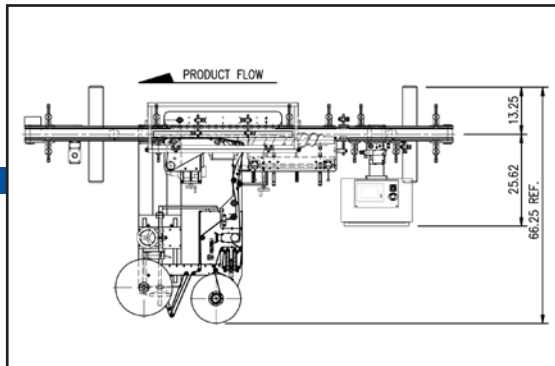
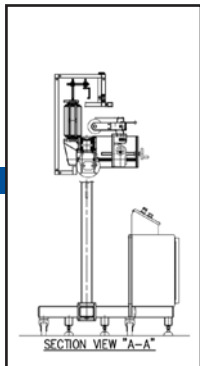
Consult CTM Labeling Systems for other options

System dimensions

Varies, but approx. 75" height, 5'-6" width, to 10 to 12 ft. long

Weight

Approx. 800 lbs.



Distributed By:



1318 Quaker Circle
P.O. Box 589
Salem, Ohio 44460
(330) 332-1800

www.ctmlabelingsystems.com